

PEDESTAL DRILL

1. There are at least 10 unsafe actions or neglected safety practices in the drawing. Write them in the spaces provided on the opposite page.

2. How should the drill be fed into the work, very quickly or steadily?

3. What is the general rule for drill speeds and sizes of drills?

4. What should you use to remove drill shavings?

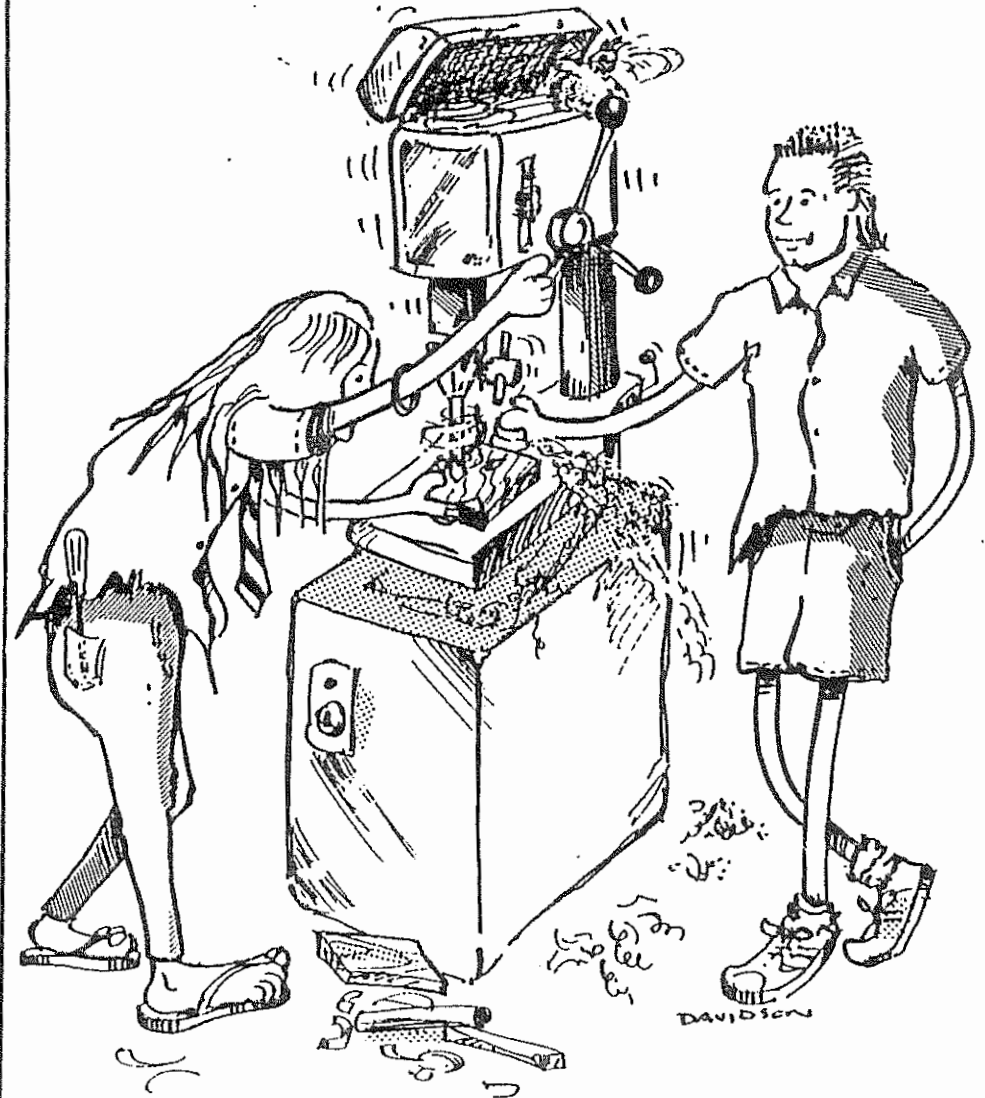
5. What should never be used to remove drill shavings?

6. Would you ever attempt to change belt speeds when the drill is going?

7. Work must not be held with cotton waste or a piece of rag. Why not?

8. Should the drill be slowed quickly by holding the chuck?

PEDESTAL DRILL



GENERAL WORKSHOP — METAL

1. The workshop shown is not all that safe. List the unsafe practices shown.

2. Where should tools be placed when you have finished using them?

3. A file should not be used without a _____

4. Why shouldn't two files be hit together?

5. How should you hold metal that is to be cut or filed?

6. If a tool is damaged, loose or in an unsatisfactory condition, what must be done?

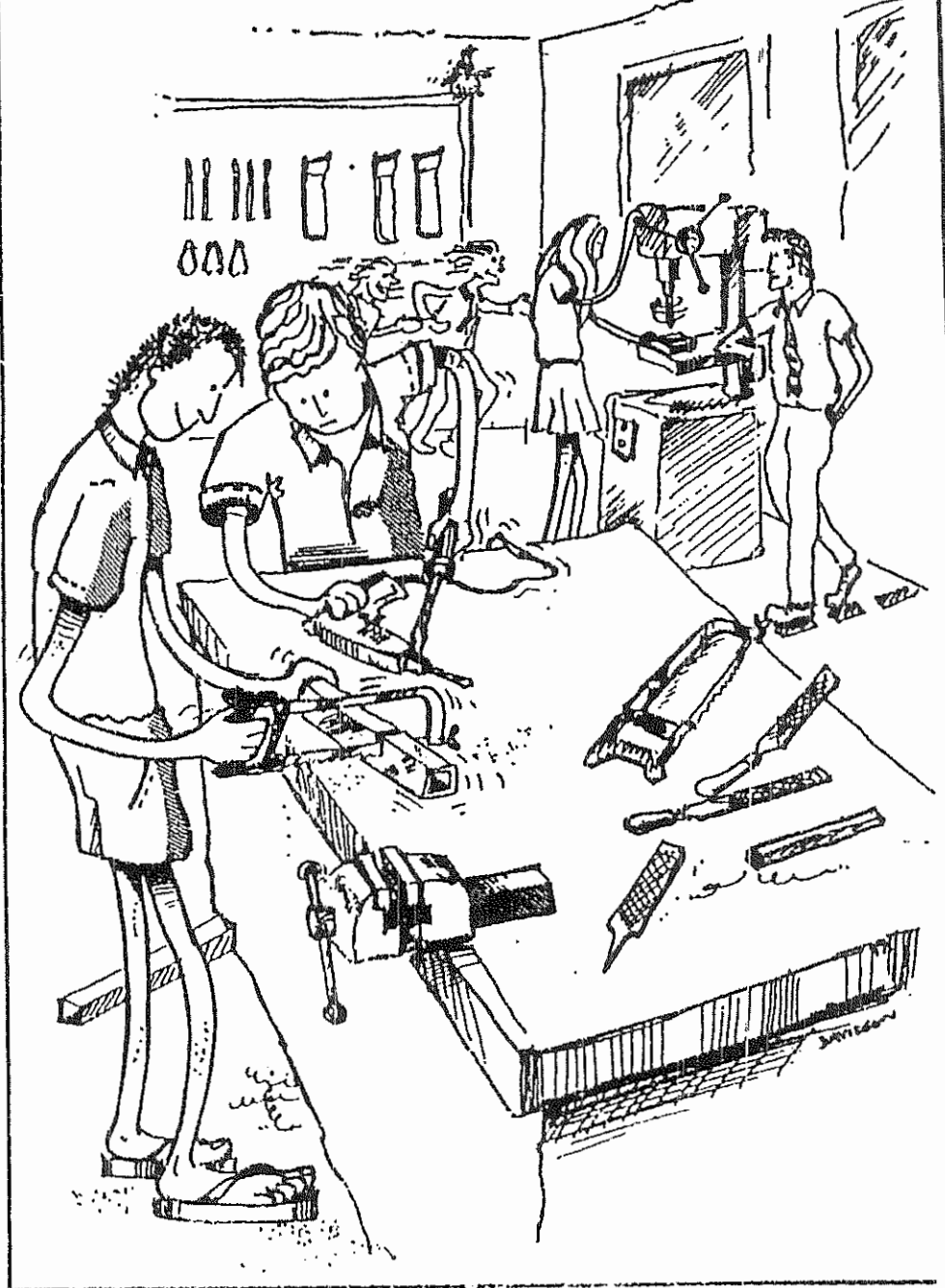
7. Why should loose clothing be tucked in?

8. Describe the only type of footwear permitted in a workshop.

9. If you were to pick something up in the heat treatment area, you should always assume it to be _____

10. Why shouldn't two hammers be hit together?

GENERAL WORKSHOP — METAL



LIQUID PETROLEUM (L.P.) GAS

1 List the unsafe actions shown.

2 Why is a flame (eg. match, pilot light) preferred for lighting L.P.G. rather than a spark lighter?

3 Why should a disposable lighter never be used?

4 Why must hoses be protected from sharp edges or hot objects?

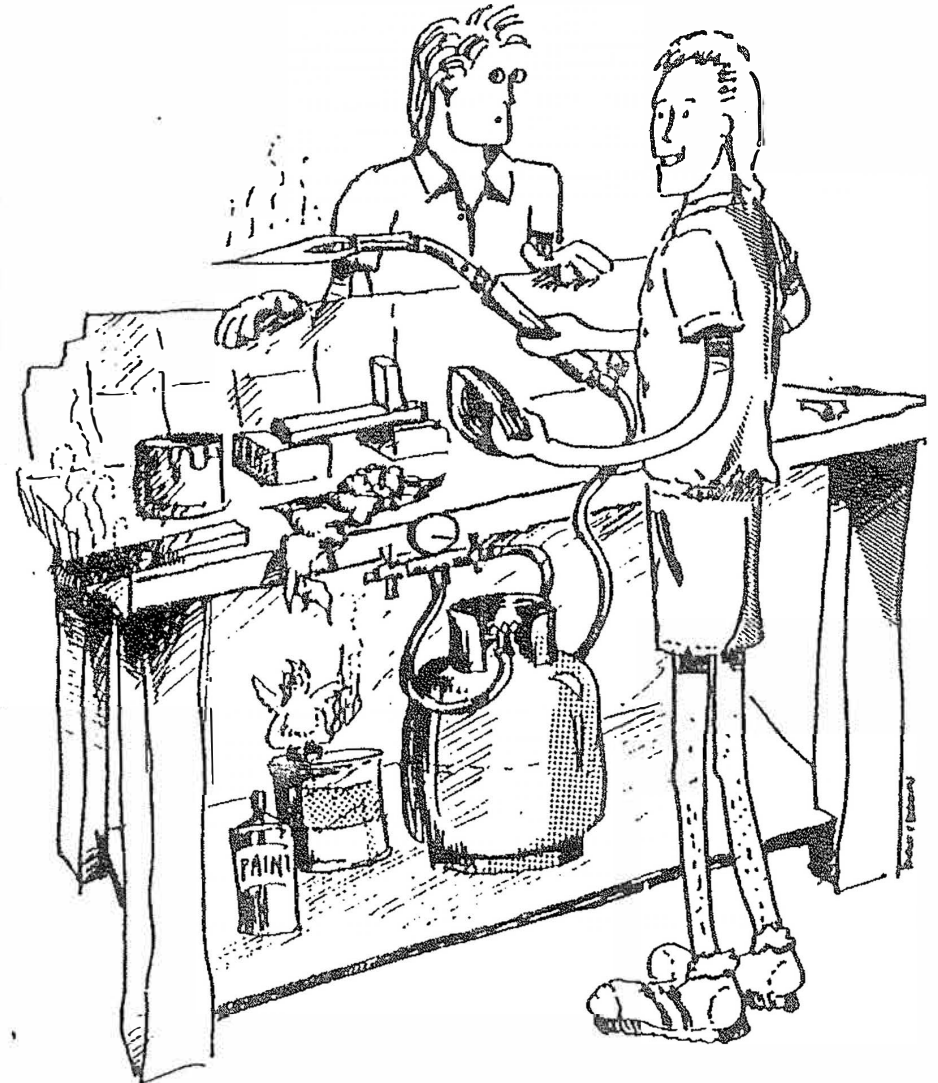
5 If you suspect something is wrong, what should you do immediately?

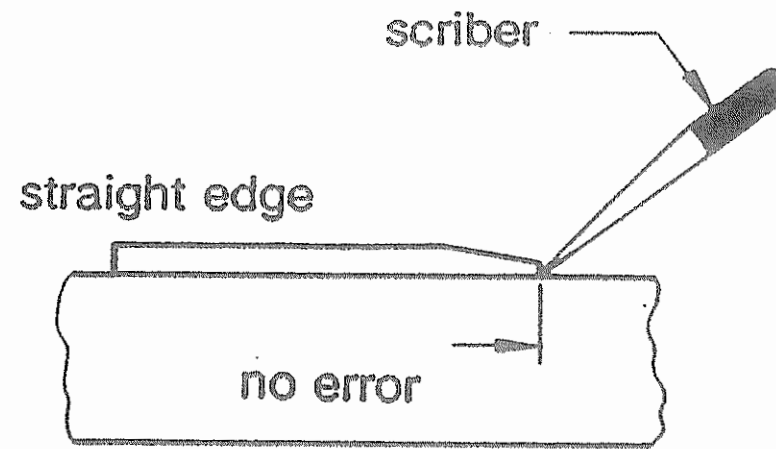
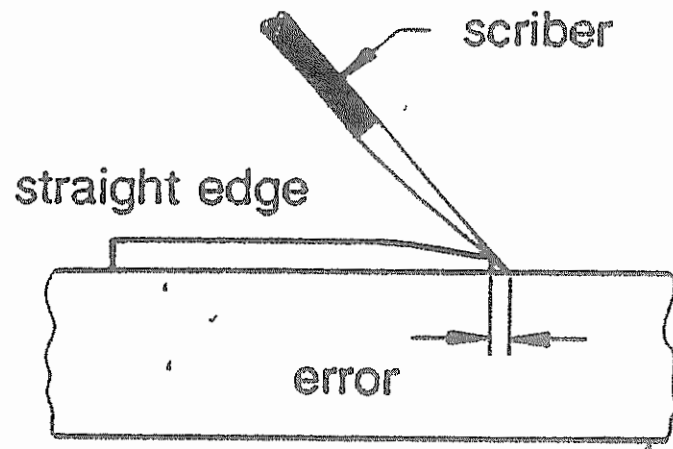
6 All materials in the heat treatment area should be regarded as being _____

7. Rags, steel wool, paints and thinners etc. should not be in the heat treatment area. Why?

8 If you are the last person to use the gas equipment in a practical session, what must you do?

L.P. GAS





Uses

-

Advantages

-

-

Disadvantages

-

-

-

-

-

-